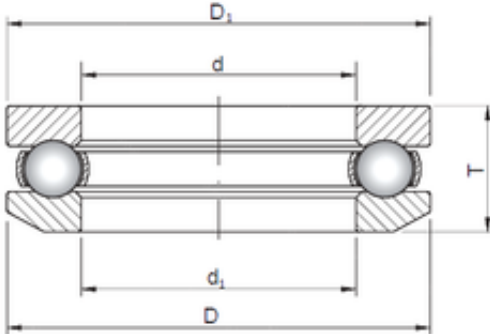




CAR Bearing manufacturing Co.,Ltd

ISO 53317 thrust ball bearings



Bearing No. 53317

Bore Diameter	85 mm
Outer Diameter	150 mm
d	85 mm
d1	88 mm
D	150 mm
D1	150 mm
T	53,1 mm

53317 Bearing 2D drawings and 3D CAD models