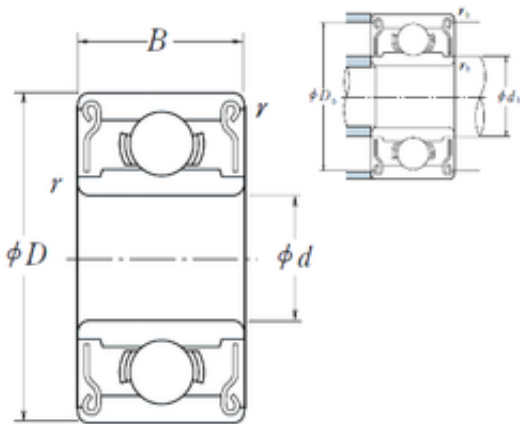




CAR Bearing manufacturing Co.,Ltd



ISO MR128ZZ deep groove ball bearings

Bearing No. MR128ZZ

Size	8x12x3.5 mm
Bore Diameter	8 mm
Outer Diameter	12 mm
Width	3,5 mm
d	8 mm
D	12 mm
B	3,5 mm
C	3,5 mm
r min.	0,1 mm

MR128ZZ Bearing 2D drawings and 3D CAD models