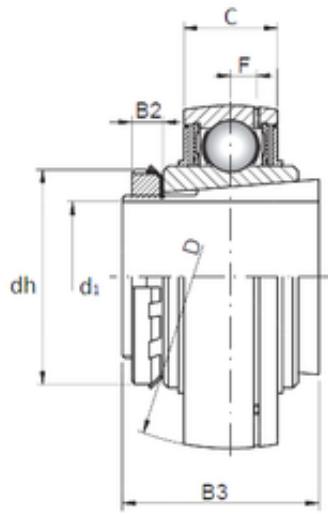




# CAR Bearing manufacturing Co.,Ltd

## ISO UK206+H2306 deep groove ball bearings

Bearing No. UK206+H2306



UK206+H2306 Bearing 2D drawings and 3D CAD models

Size	30x62x26 mm
Bore Diameter	30 mm
Outer Diameter	62 mm
Width	26 mm
d	30 mm
d1	25 mm
D	62 mm
B	26 mm
C	19 mm
B2	8 mm
B3	38 mm
F	5 mm
dh	45 mm