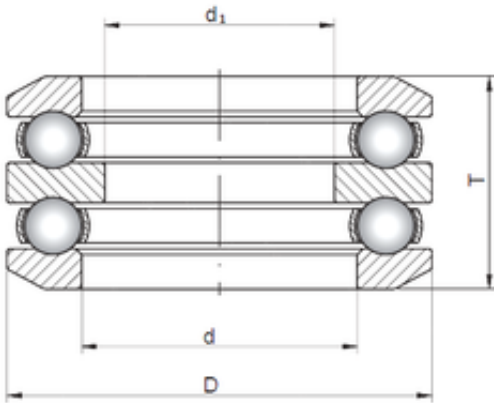




CAR Bearing manufacturing Co.,Ltd

ISO 54414 thrust ball bearings



Bearing No. 54414

Size	73x150x114.2 mm
Bore Diameter	73 mm
Outer Diameter	150 mm
Width	114,2 mm
d	73 mm
d1	55 mm
D	150 mm
T	114,2 mm

54414 Bearing 2D drawings and 3D CAD models