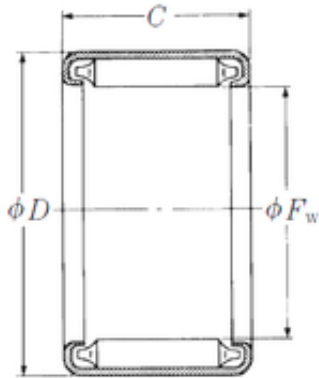




CAR Bearing manufacturing Co.,Ltd

NSK JH-1816 needle roller bearings



Bearing No. JH-1816

Size	28.575x38.1x25.4 mm
Bore Diameter	28,575 mm
Outer Diameter	38,1 mm
Width	25,4 mm
Fw	28,575 mm
D	38,1 mm
C	25,4 mm
Weight	0,062 Kg
Basic dynamic load rating (C)	32 kN

JH-1816 Bearing 2D drawings and 3D CAD models