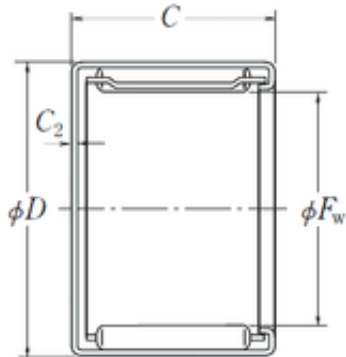




# CAR Bearing manufacturing Co.,Ltd

## NSK MFJ-3020 needle roller bearings



Bearing No. MFJ-3020

|                               |             |
|-------------------------------|-------------|
| Size                          | 30x37x20 mm |
| Bore Diameter                 | 30 mm       |
| Outer Diameter                | 37 mm       |
| Width                         | 20 mm       |
| Fw                            | 30 mm       |
| D                             | 37 mm       |
| C                             | 20 mm       |
| C1                            | 1 mm        |
| Weight                        | 0,039 Kg    |
| Basic dynamic load rating (C) | 19400 kN    |
| (Grease) Lubrication Speed    | 6700 r/min  |
| NB-DI                         | 0           |
| NA-DEX                        | 0           |
| hidYobi                       | MFJ-3020    |
| LangID                        | 1           |
| D_                            | 37          |
| NC-SLR                        | 0           |
| B_                            | 20.5        |
| n_yobi                        | FIR-253020  |
| hidTable                      | ecat_NSDCNR |
| d1                            | 25          |
| GRS rpm                       | 6700        |
| ra                            | 0.3         |
| NC-SLR1                       | 0           |
| C0                            | 30.991      |
| Prod_Type3                    | NRB_DC_FJ-  |

MFJ-3020 Bearing 2D drawings and 3D CAD models



## CAR Bearing manufacturing Co.,Ltd

|         | MFJ_WC_CT |
|---------|-----------|
| da      | 27        |
| d       | 25        |
| NC-RAC  | 0         |
| Pmax    | 13300     |
| N-SDM   | 0         |
| yobi    | MFJ-3020  |
| C1_C2   | 1         |
| ND-Z    | 0         |
| OIL rpm | 10000     |
| NC-DA   | 0         |
| mass_i  | 39        |
| NC-KMS  | 0         |
| B1      | 20.5      |