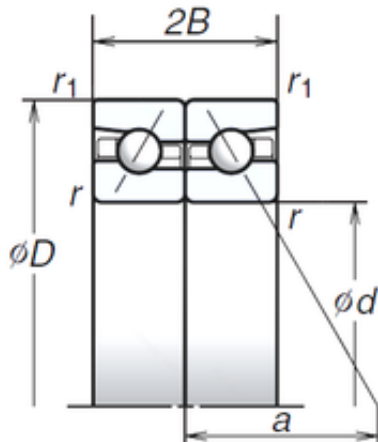




# CAR Bearing manufacturing Co.,Ltd

## NSK 80BAR10H angular contact ball bearings

Bearing No. 80BAR10H



80BAR10H Bearing 2D drawings and 3D CAD models

Size	80x125x20.25 mm
Bore Diameter	80 mm
Outer Diameter	125 mm
Width	20,25 mm
d	80 mm
D	125 mm
B	20,25 mm
C	20,25 mm
Angle ( ° )	30 °
a	39,4 mm
r min.	1,1 mm
r1 min.	0,6 mm
2B	40,5 mm
Weight	0,821 Kg
Basic dynamic load rating (C)	32 kN
Basic static load rating (C0)	68,5 kN
(Grease) Lubrication Speed	8 300 r/min
(Oil) Lubrication Speed	10 300 r/min