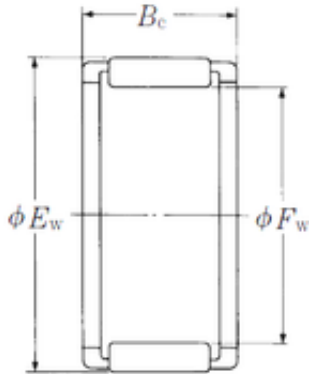




CAR Bearing manufacturing Co.,Ltd

NSK FWF-141910-E needle roller bearings



Bearing No. FWF-141910-E

Bore Diameter	14 mm
Outer Diameter	19 mm
Fw	14 mm
Ew	19 mm
Bc	10 mm
Weight	0,0062 Kg
Basic dynamic load rating (C)	7,8 kN
hidYobi	FWF-141910-E
LangID	1
Prod_Type3	NRB_CNRA_FL
d	14
D_	19
DA_	2.5
Z_	12
C	7.8
B_	10
hidTable	ecat_NSCRA
yobi	FWF-141910-E
mass	6.2
SDM_	16.5
KBRG	8133
C0	8.05
SLR	7.8

FWF-141910-E Bearing 2D drawings and 3D CAD models