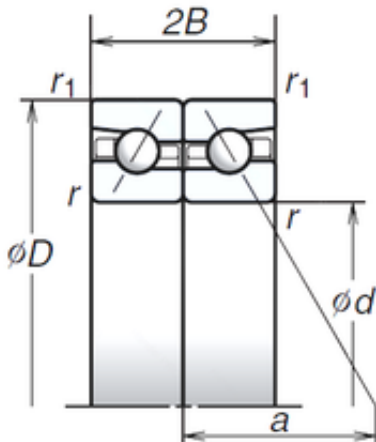




CAR Bearing manufacturing Co.,Ltd

NSK 120BTR10S angular contact ball bearings

Bearing No. 120BTR10S



120BTR10S Bearing 2D drawings and 3D CAD models

Size	120x180x27 mm
Bore Diameter	120 mm
Outer Diameter	180 mm
Width	27 mm
d	120 mm
D	180 mm
B	27 mm
C	27 mm
Angle (°)	40 °
a	76,4 mm
r min.	2 mm
r1 min.	1 mm
2B	54 mm
Weight	2,262 Kg
Basic dynamic load rating (C)	68 kN
Basic static load rating (C0)	160 kN
(Grease) Lubrication Speed	4 400 r/min
(Oil) Lubrication Speed	5 700 r/min