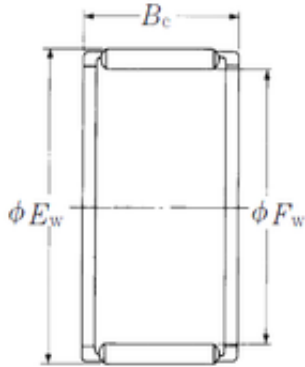




CAR Bearing manufacturing Co.,Ltd

NSK FWF-606520 needle roller bearings



Bearing No. FWF-606520

Bore Diameter	60 mm
Outer Diameter	65 mm
Fw	60 mm
Ew	65 mm
Bc	20 mm
Weight	0,044 Kg
Basic dynamic load rating (C)	29 kN
Basic static load rating (C0)	69 kN

FWF-606520 Bearing 2D drawings and 3D CAD models