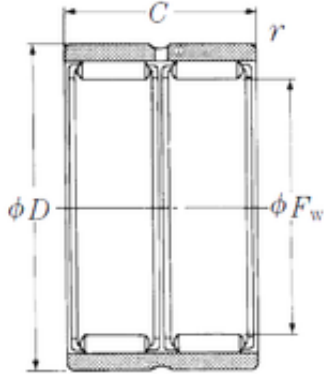




# CAR Bearing manufacturing Co.,Ltd

## NSK RNAFW658560 needle roller bearings



Bearing No. RNAFW658560

Size	65x85x60 mm
Bore Diameter	65 mm
Outer Diameter	85 mm
Width	60 mm
Fw	65 mm
D	85 mm
C	60 mm
r min.	1 mm
Weight	0,99 Kg
Basic dynamic load rating (C)	104 kN
Basic static load rating (C0)	263 kN

RNAFW658560 Bearing 2D drawings and 3D CAD models