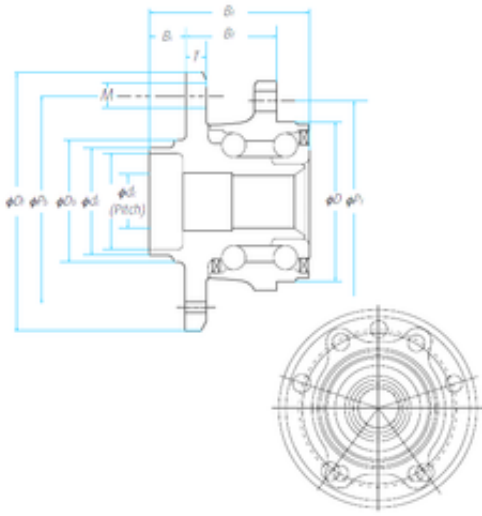




CAR Bearing manufacturing Co.,Ltd



NSK ZA-56BWKH18B-Y--01 E tapered roller bearings

Bearing No. ZA-56BWKH18B-Y--01 E

Bore Diameter	24,75 mm
d	24,75 mm
dc	53,5 mm
Bt	82,2 mm
Bf	58,5 mm
Db	61 mm
Df	121 mm
Pb	100 mm
Pt	92 mm
Bi	20,5 mm
Dw	60 mm
T	12,2 mm
Thread (G)	M12 × 1,5
Weight	2,207 Kg
ABS	+
1	Wheel Bearing

ZA-56BWKH18B-Y--01 E Bearing 2D drawings and 3D CAD models