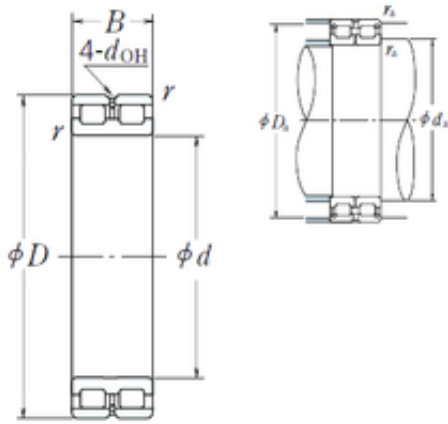




CAR Bearing manufacturing Co.,Ltd

NSK RSF-4836E4 cylindrical roller bearings



Bearing No. RSF-4836E4

RSF-4836E4 Bearing 2D drawings and 3D CAD models

Size	180x225x45 mm
Bore Diameter	180 mm
Outer Diameter	225 mm
Width	45 mm
d	180 mm
D	225 mm
B	45 mm
C	45 mm
r min.	1,1 mm
da min.	186,5 mm
Da max.	218,5 mm
ra max.	1 mm
Weight	4,3 Kg
Basic dynamic load rating (C)	272 kN
Basic static load rating (C0)	685 kN
(Grease) Lubrication Speed	560 r/min
hidYobi	RSF-4836E4
LangID	1
D_	225
B_	45
hidTable	ecat_NSCLDRS
Oil rpm	560
mass	4.3
GRS rpm	1100
ra	1
da_min	186.5



CAR Bearing manufacturing Co.,Ltd

C0	685
DE_	211.2
Prod_Type3	CRB_FRFS_OT_FREE
DA_	10
Z_	63
yobi	RSF-4836E4
da_max	218.5
SDM_	201.2
r	1.1
KBRG	4210
disp	3
DI_	191.2
doh	4