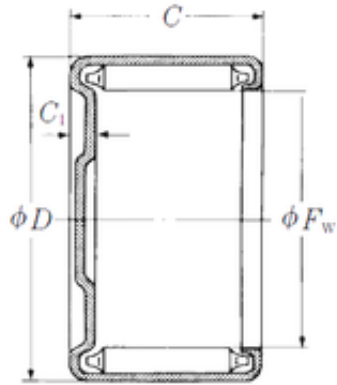




CAR Bearing manufacturing Co.,Ltd

NSK M-1161 needle roller bearings



Bearing No. M-1161

Size	17.462x22.225x9.52 mm
Bore Diameter	17,462 mm
Outer Diameter	22,225 mm
Width	9,52 mm
Fw	17,462 mm
D	22,225 mm
C	9,52 mm
C2	2 mm
Weight	0,012 Kg
Basic dynamic load rating (C)	7,8 kN

M-1161 Bearing 2D drawings and 3D CAD models