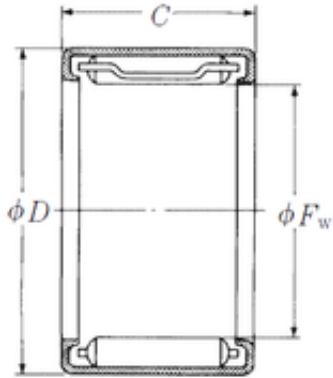




CAR Bearing manufacturing Co.,Ltd

NSK FJ-59 needle roller bearings



Bearing No. FJ-59

FJ-59 Bearing 2D drawings and 3D CAD models

Size	5x9x9 mm
Bore Diameter	5 mm
Outer Diameter	9 mm
Width	9 mm
Fw	5 mm
D	9 mm
C	9 mm
Weight	0,0017 Kg
Basic dynamic load rating (C)	1,86 kN
(Grease) Lubrication Speed	43000 r/min
NB-DI	0
NA-DEX	7.62
hidYobi	FJ-59
LangID	1
D_	9
NC-SLR	5.2
B_	9
hidTable	ecat_NSDCNR
mass_k	1.7
GRS rpm	43000
NC-SLR1	0
C0	1.538
C1	9
Prod_Type3	NRB_DC_FJ-MFJ_WC_OT
d	5



CAR Bearing manufacturing Co.,Ltd

NC-RAC	0
Pmax	745
N-SDM	0
yobi	FJ-59
C1_C2	0.8
ND-Z	7
OIL rpm	71000
NC-DA	1.306
N-KBRG	8201
NC-KMS	7