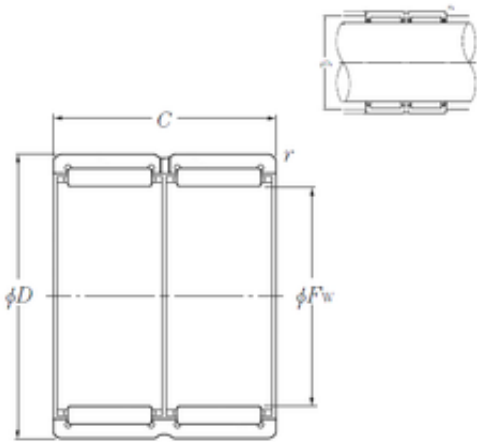




# CAR Bearing manufacturing Co.,Ltd

## NTN RNA6917R needle roller bearings



Bearing No. RNA6917R

Size	100x120x63 mm
Bore Diameter	100 mm
Outer Diameter	120 mm
Width	63 mm
Fw	100 mm
D	120 mm
C	63 mm
r min.	1,1 mm
Da max.	113,5 mm
ra max.	1 mm
Weight	1,2 Kg
Basic dynamic load rating (C)	169 kN
Basic static load rating (C0)	400 kN
(Grease) Lubrication Speed	2700 r/min
rs min	1.1 mm
Dw	6.5 mm
Lw	24 mm
Lubrication hole on outer ring	Oui/Yes
k	3.5 mm
Radial clearance class	CN
Precision class	P0
Mass	1.2 kg
Cr	169 kN
C0r	400 kN
Nlim (grease)	2,700 rpm

RNA6917R Bearing 2D drawings and 3D CAD models



## CAR Bearing manufacturing Co.,Ltd

Nlim (oil)	4,000 rpm
Min operating temperature, Tmin	-20 ° C
Max operating temperature, Tmax	120 ° C
Characteristic cage frequency, FTF	0.47 Hz
Characteristic rolling element frequency, BSF	16.32 Hz
Characteristic outer ring frequency, BPF0	15.96 Hz
Characteristic inner ring frequency, BPF1	18.04 Hz
Da max	113.5 mm
ras max	1 mm
Category	Bearings
Inventory	0.0
Manufacturer Name	NTN
Minimum Buy Quantity	N/A
Weight / Kilogram	1.262
Product Group	B04144