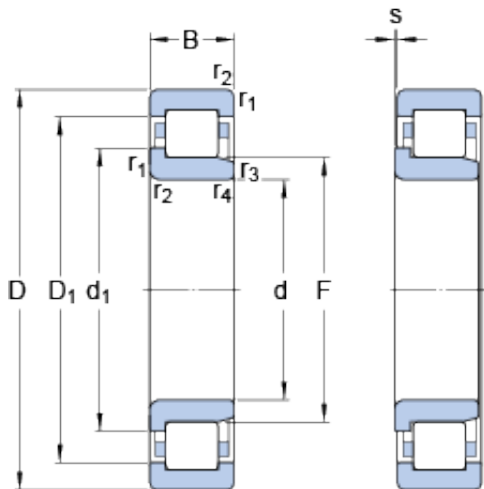




CAR Bearing manufacturing Co.,Ltd



SKF NJ 213 ECP thrust ball bearings

Bearing No. NJ 213 ECP

Size	120x65x23 mm
Bore Diameter	120 mm
Outer Diameter	65 mm
Width	23 mm
d	65 mm
D	120 mm
B	23 mm
d ₁	84.4 mm
D ₁	103.2 mm
F	78.5 mm
r _{1,2} - min.	1.5 mm
r _{3,4} - min.	1.5 mm
s	1.4 mm
d _a - min.	74 mm
d _a - max.	76 mm
d _b - min.	87 mm
D _a - max.	110.6 mm
r _a - max.	1.5 mm
Basic dynamic load rating - C	122 kN
Basic static load rating - C ₀	118 kN
Fatigue load limit - P _u	15.6 kN
Reference speed	6300 r/min
Limiting speed	6700 r/min
Calculation factor - k _r	0.15
Category	Cylindrical Roller Bearings

NJ 213 ECP Bearing 2D drawings and 3D CAD models



CAR Bearing manufacturing Co.,Ltd

Inventory	0.0
Manufacturer Name	SKF
Minimum Buy Quantity	N/A
Weight / Kilogram	1.094
Product Group	B04144
Bore Profile	Straight
Cage Material	Polymer
Precision Class	RBEC 1 ISO P0
Number of Rows of Rollers	Single Row
Separable	Inner Ring - One Side
Rolling Element	Cylindrical Roller Bearing
Profile	Complete with Outer and Inner Ring
Snap Ring	No
Internal Clearance	C0-Medium
Retainer	Yes
Relubricatable	Yes
Inch - Metric	Metric
Other Features	High Capacity 1 Rib Inner Ring 2 Rib Outer Ring Cage on Outer Ring ID
Long Description	65MM Bore; Straight Bore Profile; 120MM Outside Diameter; 23MM Width; Polymer Cage Material; RBEC 1 ISO P0; Single Row; Inner Ring - One Side Separable; No Snap Ring; Relubricatable; C0-Medium Inte
Category	Cylindrical Roller Bearing
UNSPSC	31171547
Harmonized Tariff Code	8482.50.00.00
Noun	Bearing
Manufacturer URL	http://www.skf.com
Manufacturer Item Number	NJ 213 ECP



CAR Bearing manufacturing Co.,Ltd

Weight / LBS	2.41
Bore	2.559 Inch 65 Millimeter
Width	0.906 Inch 23 Millimeter
Outside Diameter	4.724 Inch 120 Millimeter
bore diameter:	65 mm
static load capacity:	118 kN
outside diameter:	120 mm
precision rating:	Not Rated
overall width:	23 mm
maximum rpm:	6700 RPM
flanges:	(2) Outer Ring, (1) Inner Ring
bearing material:	Steel
bore type:	Straight
cage material:	Polyamide
number of rows:	1
finish/coating:	Uncoated
internal clearance:	C0
closure type:	Open
ring separation:	Separable Ring
outer ring width:	23 mm
operating temperature range:	Maximum of +300 ° F
fillet radius:	1.5 mm
dynamic load capacity:	122 kN
series:	NJ2
d_1	84.4 mm
D_1	103.2 mm
$r_{1,2}$ min.	1.5 mm
$r_{3,4}$ min.	1.5 mm
s max.	1.4 mm
d_a min.	74 mm
d_a max.	76 mm



CAR Bearing manufacturing Co.,Ltd

d_b min.	87 mm
D_a max.	110.6 mm
r_a max.	1.5 mm
Basic dynamic load rating C	122 kN
Basic static load rating C_0	118 kN
Fatigue load limit P_u	15.6 kN
Calculation factor k_r	0.15
Limiting value e	0.2
Axial load factor Y	0.6
Mass bearing	1.06 kg