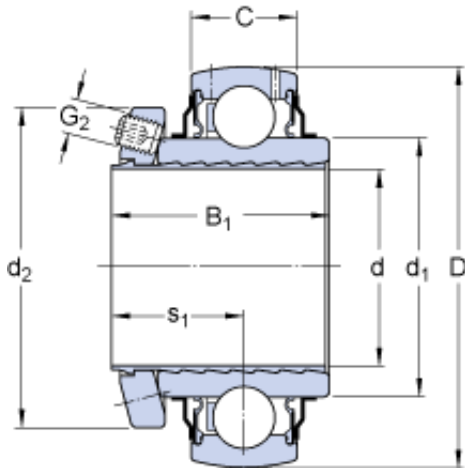




CAR Bearing manufacturing Co.,Ltd



E2.YSP 208 SB-2F Bearing 2D drawings and 3D CAD models

SKF E2.YSP 208 SB-2F deep groove ball bearings

Bearing No. E2.YSP 208 SB-2F

Size	80x40x42.9 mm
Bore Diameter	80 mm
Outer Diameter	40 mm
Width	42,9 mm
d	40 mm
D	80 mm
B ₁	42.9 mm
C	21 mm
d ₁	51.8 mm
d ₂	62 mm
s ₁	25.9 mm
Basic dynamic load rating - C	30.7 kN
Basic static load rating - C ₀	19 kN
Fatigue load limit - P _u	0.8 kN
Limiting speed	4800 r/min
Calculation factor - f ₀	14
Mass bearing	0.59 kg
Thread - G ₂	M6
Hexagonal key size for grub screw - H	3 mm
Recommended tightening torque for grub screw	7.4 N · m
Category	Bearings
Inventory	0.0



CAR Bearing manufacturing Co.,Ltd

Manufacturer Name	SKF
Minimum Buy Quantity	N/A
Weight / Kilogram	0
Product Group	M06110