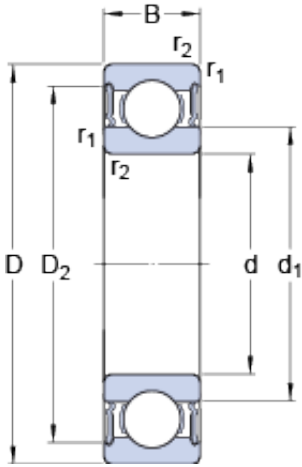




CAR Bearing manufacturing Co.,Ltd



62/22-2RS1 Bearing 2D drawings and 3D CAD models

SKF 62/22-2RS1 deep groove ball bearings

Bearing No. 62/22-2RS1

Size	50x22x14 mm
Bore Diameter	50 mm
Outer Diameter	22 mm
Width	14 mm
d	22 mm
D	50 mm
B	14 mm
d ₁	32.2 mm
D ₂	44 mm
r _{1,2} - min.	1 mm
d _a - min.	27.6 mm
d _a - max.	32 mm
D _a - max.	44.4 mm
r _a - max.	1 mm
Basic dynamic load rating - C	14 kN
Basic static load rating - C ₀	7.6 kN
Fatigue load limit - P _u	0.325 kN
Limiting speed	9000 r/min
Calculation factor - k _r	0.025
Calculation factor - f ₀	14
Category	Single Row Ball Bearings
Inventory	0.0
Manufacturer Name	SKF
Minimum Buy Quantity	N/A
Weight / Kilogram	0.117



CAR Bearing manufacturing Co.,Ltd

Product Group	B00308
Enclosure	2 Seals
Precision Class	ABEC 1 ISO P0
Maximum Capacity / Filling Slot	No
Rolling Element	Ball Bearing
Snap Ring	No
Internal Special Features	No
Cage Material	Steel
Enclosure Type	Contact Seal
Internal Clearance	C0-Medium
Inch - Metric	Metric
Long Description	22MM Bore; 50MM Outside Diameter; 14MM Outer Race Width; 2 Seals; Ball Bearing; ABEC 1 ISO P0; No Filling Slot; No Snap Ring; No Internal Special Features; C0-Medium Internal Clearance; Steel Cage;
Other Features	Deep Groove NBR Seal
Category	Single Row Ball Bearing
UNSPSC	31171504
Harmonized Tariff Code	8482.10.50.68
Noun	Bearing
Keyword String	Ball
Manufacturer URL	http://www.skf.com
Weight / LBS	0.26
Outer Race Width	0.551 Inch 14 Millimeter
Bore	0.866 Inch 22 Millimeter
Inner Race Width	0 Inch 0 Millimeter
Outside Diameter	1.969 Inch 50 Millimeter
bore diameter:	22 mm
static load capacity:	7.65 kN



CAR Bearing manufacturing Co.,Ltd

outside diameter:	50 mm
finish/coating:	Uncoated
overall width:	14 mm
bearing material:	Steel
bore type:	Round
cage material:	Steel
closure type:	Double Sealed
fillet radius:	1 mm
row type & fill slot:	Single Row Non-Fill Slot
maximum rpm:	9000 rpm
snap ring included:	Without Snap Ring
series:	62
internal clearance:	C0
weight:	0.26 lb
operating temperature range:	Max 250 ° F
manufacturer product page:	Click here
dynamic load capacity:	14 kN
manufacturer upc number:	7316577298614
d_1	32.2 mm
D_2	44 mm
$r_{1,2}$ min.	1 mm
d_a min.	27.6 mm
d_a max.	32 mm
D_a max.	44.4 mm
r_a max.	1 mm
Basic dynamic load rating C	14 kN
Basic static load rating C_0	7.65 kN
Fatigue load limit P_u	0.325 kN
Calculation factor k_r	0.025
Calculation factor f_0	14
Mass bearing	0.12 kg