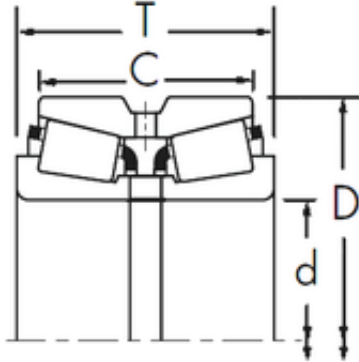




# CAR Bearing manufacturing Co.,Ltd



Timken  
HM237532/HM237510CD+HM237532XC  
tapered roller bearings

Bearing No. HM237532/HM237510CD+HM237532XC

Size	160.325x288.925x142.875 mm
Bore Diameter	160,325 mm
Outer Diameter	288,925 mm
Width	142,875 mm
d	160,325 mm
D	288,925 mm
T	142,875 mm
C	111,125 mm
R	7 mm
r	1,5 mm

HM237532/HM237510CD+HM237532XC Bearing 2D drawings and 3D CAD models