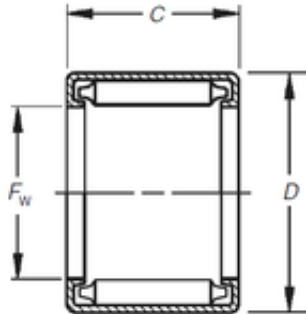




# CAR Bearing manufacturing Co.,Ltd

## Timken B-36 needle roller bearings



Bearing No. B-36

Size	4.763x8.733x9.53 mm
Bore Diameter	4,763 mm
Outer Diameter	8,733 mm
Width	9,53 mm
F <sub>w</sub>	4,763 mm
D	8,733 mm
C	9,53 mm
Weight	0,002 Kg
Basic dynamic load rating (C)	3,78 kN
Basic static load rating (C0)	4,23 kN
(Grease) Lubrication Speed	7000 r/min

B-36 Bearing 2D drawings and 3D CAD models