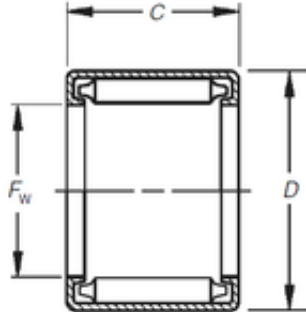




CAR Bearing manufacturing Co.,Ltd

Timken B-3420 needle roller bearings



Bearing No. B-3420

Size	53.975x63.5x31.75 mm
Bore Diameter	53,975 mm
Outer Diameter	63,5 mm
Width	31,75 mm
Fw	53,975 mm
D	63,5 mm
C	31,75 mm
Weight	0,164 Kg
Basic dynamic load rating (C)	73,4 kN
Basic static load rating (C0)	194 kN
(Grease) Lubrication Speed	2000 r/min

B-3420 Bearing 2D drawings and 3D CAD models