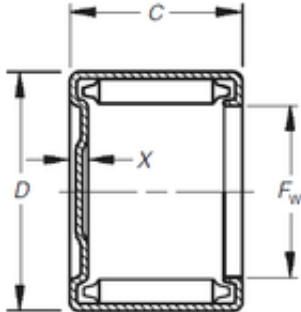




CAR Bearing manufacturing Co.,Ltd

Timken MH-33161 needle roller bearings



Bearing No. MH-33161

Size	52.388x64.292x25.4 mm
Bore Diameter	52,388 mm
Outer Diameter	64,292 mm
Width	25,4 mm
Fw	52,388 mm
D	64,292 mm
C	25,4 mm
C1	3,56 mm
Weight	0,184 Kg
Basic dynamic load rating (C)	64 kN
Basic static load rating (C0)	133 kN
(Grease) Lubrication Speed	2600 r/min

MH-33161 Bearing 2D drawings and 3D CAD models